

INJ-24 Series

Gigabit IEEE 802.3af/at PoE+ Injectors



- > PoE injector for 10/100/1000M networks; inject power and data to PD (Power Device) equipment
- > IEEE 802.3af/at compliant; supports a full 30 watt output
- > 24/48 VDC wide range power input
- > -40 to 75°C operating temperature range (T model)



Specifications

Technology

Standards:

IEEE 802.3af/at for Power-over-Ethernet
 IEEE 802.3 for 10BaseT
 IEEE 802.3u for 100BaseT(X)
 IEEE 802.3ab for 1000BaseT(X)

Interface

RJ45 Ports: 10/100/1000BaseT(X) for PoE OUT and DATA IN
PoE Pinout: V+, V+, V-, V- for pin 4, 5, 7, 8 (Endspan, MDI Alternative B)

LED Indicators: Power, PoE

Power Requirements

Input Voltage: 24/48 (20 to 60 V) VDC
Input Current: Max. 1.3 A @ 24 VDC
Overload Current Protection: Present
Connection: 1 removable 3-contact terminal block
Reverse Polarity Protection: Present

Physical Characteristics

Housing: Plastic, IP30 protection
Dimensions: 24.9 × 100 × 86.2 mm (0.98 × 3.93 × 3.39 in)
Weight: 115 g
Installation: DIN-Rail mounting

Environmental Limits

Dimensions

Operating Temperature:

Standard Models: 0 to 60°C (32 to 140°F)
 Wide Temp. Models: -40 to 75°C (-40 to 167°F)

Storage Temperature: -40 to 85°C (-40 to 185°F)

Ambient Relative Humidity: 5 to 95% (non-condensing)

Standards and Certifications

Safety: UL 508, UL 69050-1

EMI: FCC Part 15 Subpart B Class A, EN 55022 Class A

EMS:

EN 61000-4-2 (ESD) Level 3, EN 61000-4-3 (RS) Level 3,
 EN 61000-4-4 (EFT) Level 3, EN 61000-4-5 (Surge) Level 3,
 EN 61000-4-6 (CS) Level 3, EN 61000-4-8

Shock: IEC 60068-2-27

Freefall: IEC 60068-2-32

Vibration: IEC 60068-2-6

Note: Please check Moxa's website for the most up-to-date certification status.

MTBF (mean time between failures)

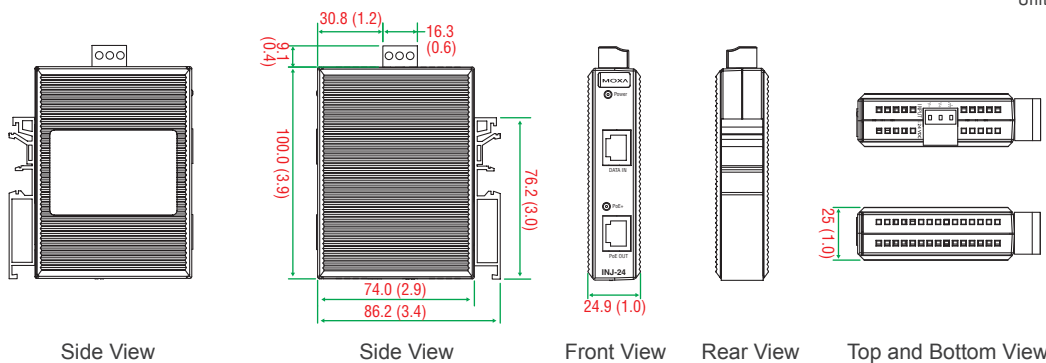
Time: 2,525,278 hrs

Database: Telcordia (Bellcore), GB

Warranty

Warranty Period: 5 years

Details: See www.moxa.com/warranty



Ordering Information

Available Models

INJ-24: PoE+ Injector, maximum output of 30 W at 24/48 VDC, 0 to 60°C operating temperature
INJ-24-T: PoE+ Injector, maximum output of 30 W at 24/48 VDC, -40 to 75°C operating temperature

Package Checklist

- INJ-24 PoE+ injector
- Hardware installation guide (printed)
- Warranty card